

Compact + Powerful Corner Shear Wrench

Short nosed gearbox enhances workability and accessibility.
Perfect tools for confined space bolting applications.

Short Nose!

	GM-221ZA GM-222ZA	GH-241ZA GH-242ZA	GV-301ZA GV-302ZA
L (mm)	241	304	312

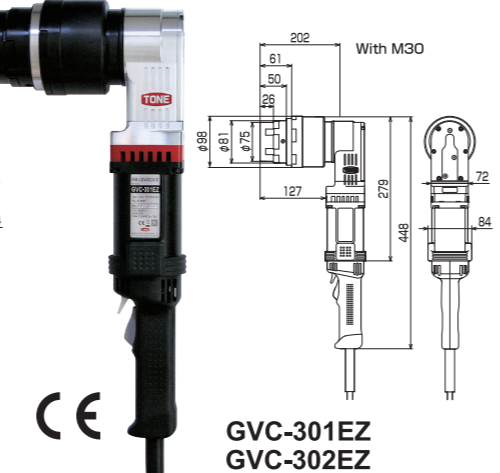
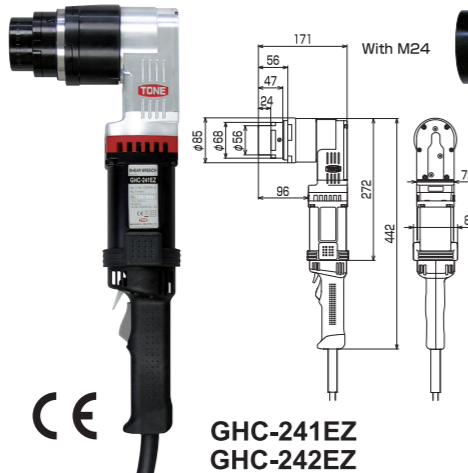
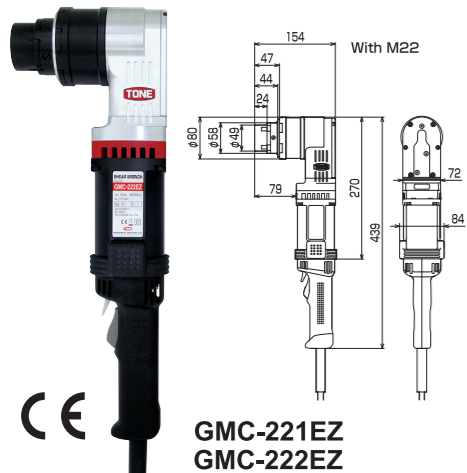
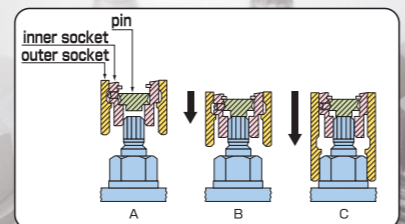
	GMC-221EZ GMC-222EZ	GHC-241EZ GHC-242EZ	GVC-301EZ GVC-302EZ
L (mm)	154	171	202



Impressive new radiator design with house mark.

New high-performance aluminum casing motor.

Anti-defacement mechanism



CORNER SHEAR WRENCH

Model	GMC-221EZ	GMC-222EZ	GHC-241EZ	GHC-242EZ	GVC-301EZ	GVC-302EZ
Frequency	50-60Hz		50-60Hz		50-60Hz	
Rated Voltage(Single Phase)	110-120V	220-230V	110-120V	220-230V	110-120V	220-230V
Max.Current	14 A	7.5A	14.5A	7.5A	14A	7A
Rated Input Power	1550W		1650W		1550W	
Rated Max. Torque	800N·m		1250N·m		2150N·m	
No-Load Speed	17min ⁻¹ (rpm)		11min ⁻¹ (rpm)		6min ⁻¹ (rpm)	
Adaptable Bolts Dia.	S10T A325 A490	M16,M20,M22	M16,M20,M22,M24		M24,M27,M30	
Weight(Main Body)	5.3kg		6.0kg		7.4kg	
Protection Class	□(class II tool)		□(class II tool)		□(class II tool)	

Manufactured by
TONE TONE CO., LTD.
OSAKA, JAPAN.



ISO 9001:2008 QMS



ISO 14001:2004 EMS

Your Distributor

web site <http://www.tonetool.co.jp>
e-mail: overseas@tonetool.co.jp

Specifications and the design are subject to change without notice.
TONE is certified to ISO9001:2008 and ISO14001:2004.

[FLKA006] 14.09.05.TK

TONE®

SHEAR WRENCH CORNER SHEAR WRENCH



TONE CO., LTD.

TONE Outstanding Features

●Adaptable for all TC bolts

Designed for all kind of tension control, or twist off type bolts.

●Great variety

You can choose a suitable model from a range of lineup, according to bolt sizes or situations.

●Strong and long lasting

Manufactured with special steel and huge improvement on heat treatment, trust weight and sliding portion for strength and durability

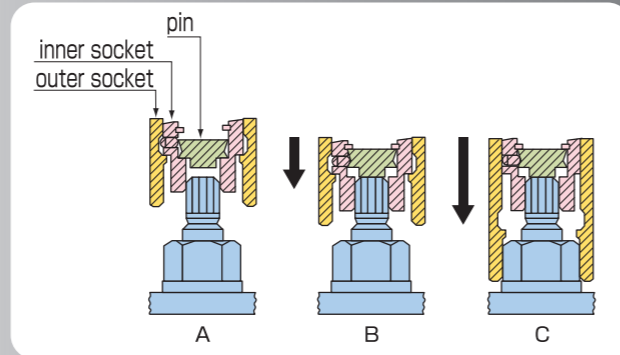
●High workability

Reduce burden of users with low counter force.

●Anti-defacement mechanism and tip ejector installed

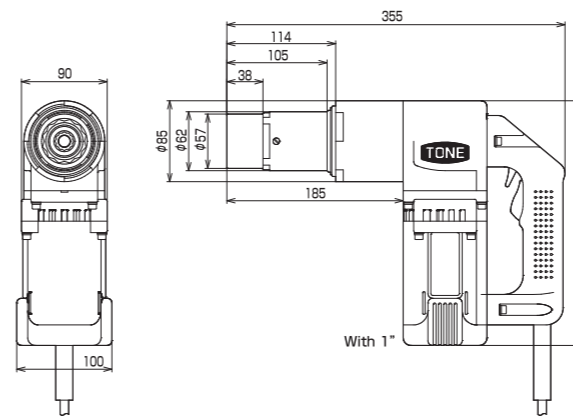
Projecting pin prevents bolt pintails from slipping caused by the improper inner socket engagement.

- 1, The inner socket cannot be retreated. (Fig. A)
- 2, When the nut is attached to the projecting pin, the inner socket is retreated. (Fig. B)
- 3, Then, the outer socket fits completely over the nut. (Fig. C)



SHEAR WRENCH

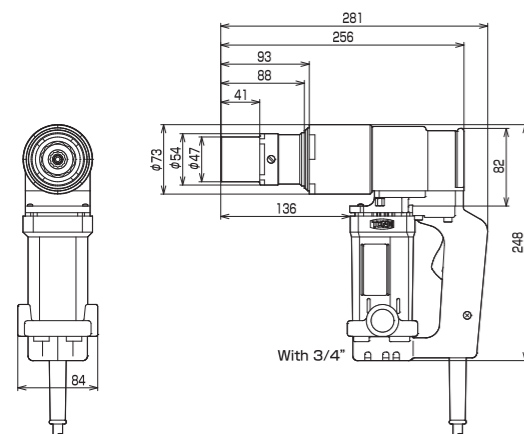
Model	GS-91EZ	GS-92EZ
Frequency	50-60Hz	
Voltage	110-120V	220-230V
Max.Current	17A	8.5A
Rated Max. Torque	810lbf.ft(1100N·m)	
Rated Input Power	1750W	
No-Load Speed	17min ⁻¹ (rpm)	
Weight (Main Body)	7.6kg	
Adaptable Bolts Dia.	TC bolts (S10T) : M16, M20, M22 TC bolts (A325/A490) : 5/8", 3/4", 7/8", 1"	
Accessories	Inner Socket·Outer Socket Instruction Manual·Metal Case (-)Screw Driver	



S-series & GS-series New Model Shear Wrenches Coming !!!

SHEAR WRENCH

Model	S-61EZ	S-62EZ
Frequency	50-60Hz	
Voltage	115V	220V
Max.Current	13.5A	5.5A
Rated Max. Torque	435lbf.ft(588N·m)	
Rated Input Power	1300W	1100W
No-Load Speed	22min ⁻¹ (rpm)	20min ⁻¹ (rpm)
Weight (Main Body)	5.5kg	
Adaptable Bolts Dia.	TC bolts (S10T) : M16, M20 TC bolts (A325/A490) : 5/8", 3/4", (7/8" A325 only)	
Accessories	Inner Socket·Outer Socket Instruction Manual·Metal Case (-)Screw Driver Connector(S-62EZ only)	



SHEAR WRENCH

Model	GS-111EZ	GS-112EZ
Frequency	50-60Hz	
Voltage	110-120V	220-230V
Max.Current	19A	9.5A
Rated Max. Torque	1030lbf.ft(1400N·m)	
Rated Input Power	2000W	
No-Load Speed	15min ⁻¹ (rpm)	
Weight (Main Body)	8.7kg	
Adaptable Bolts Dia.	TC bolts (S10T) : M22, M24 TC bolts (A325/A490) : 3/4", 7/8", 1", 1-1/8"	
Accessories	Inner Socket·Outer Socket Instruction Manual·Metal Case (-)Screw Driver	

